

# THE INTERNATIONAL GUILD OF KNOT TYERS

www.surreyknots.org.uk

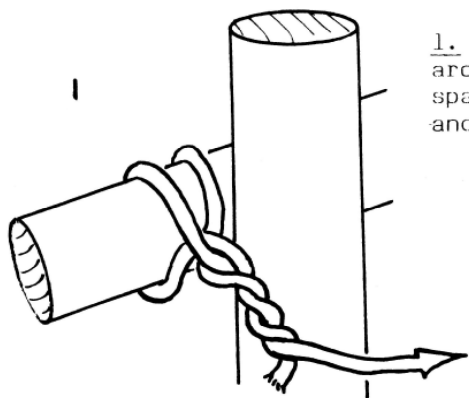


## Square Lashing

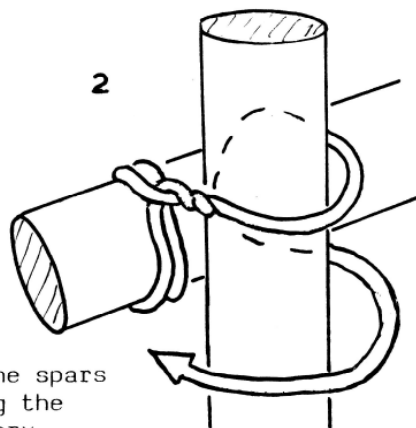
Original Drawing By

Percy W Blandford

Used when two spars cross, not always squarely, and any load would make one spar tend to slide over the other.

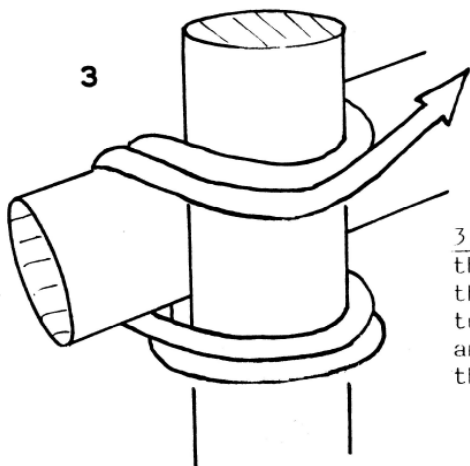


1. Put a clove hitch around the upright spar under the other and twist in the end.



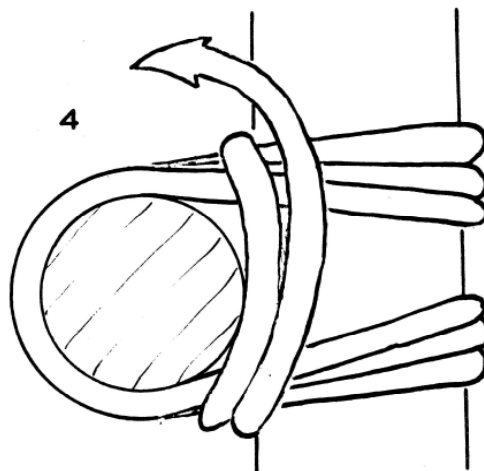
2

2. Go around the spars without crossing the line, pulling very tight as you progress.



3

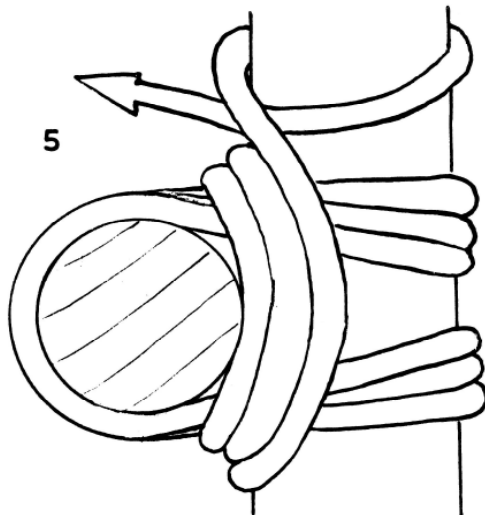
3. Put on at least three turns, taking them inside previous turns on one spar and outside them on the other.



4

4. Change to frapping turns between the spars, starting at the completion of the last ordinary turn.

5. Form a clove hitch, by first making a half hitch with its crossing close to the end of the last frapping turn



5

6. Complete the clove hitch. For security, tuck a bight of the end into the lashing.